



Summit Aluminum Folding Step Climbing Sticks Instructions

SU85303

© 2021 Summit Treestands, LLC • PO Box 1295 • Birmingham, AL 35201
www.Summitstands.com



ATTENTION

YOU MUST READ ALL WRITTEN INSTRUCTIONS AND WATCH THIS SAFETY VIDEO BEFORE USING!



WATCH THIS SAFETY VIDEO BEFORE USING!

Scan →



or Visit →

www.standsafety.com/s8

Scan the QR code with your smart phone, tablet or similar device.

OR

Type the website address into your web browser to view an important safety video before using this product.

CLIMBING AID SAFETY



WARNING

FAILURE TO READ AND FOLLOW ALL MANUFACTURER'S WARNINGS AND INSTRUCTIONS CONSTITUTES A MISUSE OF THIS PRODUCT AND COULD RESULT IN SERIOUS INJURY OR DEATH!

- Do not use this product until you understand safe and proper use. You must read and follow all instructions and warning prior to each use! Store these instructions in a safe place and review periodically and at least yearly. Ensure that all users have reviewed these instructions before any use.
- A FBF AHS is not included with this product. However, this product is intended to be used at all times with a FBF AHS. A FBF AHS must be worn and connected to the tree at all times after leaving the ground when using this product. This product should only be used with treestands that have been tested and certified to meet or exceed standards recognized by the Treestand Manufacturers Association (TMA). These treestands are sold with harnesses (FBF AHS) equipped with lineman's climbing belts that meet the requirements of Test Method F2337. These FBF AHS and lineman's belts allow the hunter to be connected to the tree at all times after leaving the ground. If you do not have a FBF AHS, do not use this product.
- When used herein, "treestand" includes tripods, climbing stands, fixed position stand and ladder stands.
- When hunting from a treestand, falls can occur any time after leaving the ground! Any fall can cause serious injury or death! The use of a full body fall arrest harness system (FBF AHS) is required when using any treestand. If FBF AHS is not present, hunt from ground level!
- The use of this product requires the use of a full body fall arrest harness system (FBF AHS) that includes a lineman's climbing belt. A lineman's climbing belt allows the user to remain attached to the tree through climbing and descent so that they may remain attached to the tree from the moment they leave the ground until they return to the ground. The FBF AHS must be used and attached to the tree prior to gaining entry upon the treestand platform, and should be worn and attached to the tree at all times while using the treestand until safely back at ground level. Read and follow all instructions that were provided with your FBF AHS.
- The length of the harness tether shall be minimized at all times. It shall be adjusted so that it is above the head with no slack (or snug) in the seated position. Failure to do so may result in suspension without the ability to recover to your treestand. Be aware of hazards associated with hanging suspended in a FBF AHS and the fact that prolonged suspension in a harness may be fatal.
- A signal device such as a mobile phone, radio, whistle, signal flare or personal locator device (PLD) must be on your person and available at all times. If others are not aware of your hunting location and communication efforts are unsuccessful, you must have a personal plan for recovery/escape before you ascend the tree - prolonged suspension in a harness can be fatal. It is important to exercise the legs by pushing against the tree or doing other forms of continuous leg exercises to avoid blood pooling while being suspended. Hunters with varying degrees of physical fitness may require different plans to recover/escape to avoid effects of prolonged suspension. Have a personal plan and practice it in the presence of a responsible adult before leaving the ground. No escape/recovery plan will work for every hunter on every tree in every circumstance. Only you can determine the best recovery/escape plan for your hunting situation and you must have a recovery/escape plan for your situation before leaving the ground. Hunt from ground when self-recovery/escape ability is absent.
- If there are any questions or concerns with instructions, warnings, or proper use, do not use the stand. Contact the manufacturer. Do not use unless you fully understand safe and proper use. Maintain all warnings and instructions for later review as needed, for instruction usage to anyone borrowing your stand/ FBF AHS or to pass on when selling these items. Use all safety devices provided with your treestand and FBF AHS.
- The use of a lineman's climbing belt as part of your FBF AHS is required when installing, using, or removing any climbing aid or fixed position treestand.
- Inspect all ropes and/or straps prior to each use. Ensure the ground below the climbing aid is firm and level.
- Always place this product above a fixed position stand so that the user may step down into the stand.
- Always step down into the foot platform area of any fixed position treestand. Placement of the fixed position treestand must be below the top end of the climbing aid.
- Sectional ladders and steps shall be spaced on the tree to insure each step is no more than 18 in. (45.72 cm) apart.

- Hang-on climbing aids must be placed on the tree at a height above the platform where the user can maintain a handhold on the unit and step downwards onto the treestand. Never step up from a climbing device to get into your stand.
- When using this product or a fixed position treestand, never be disconnected from the tree for any reason or at anytime. Use a two point (double) connection process while maneuvering into the treestand or around obstacles. A FBFAHS is required at all times above ground level.
- Inspect all ropes and/or straps prior to each use or prior to stepping onto the climbing aid. Failure to do so could result in serious injury or death.
- Do not use this product until you understand safe and proper use. Read and follow all instructions and warnings prior to each use!
- Inspect the climbing aid, ropes and/or webbing (straps) prior to every use for undue wear, deformity, corrosion or other damage. Inspect all straps, webbing and ropes for fraying, rips, tears, cuts, nicks, undue wear or any other type of damage. Discontinue use immediately if any damage is present.
- Never exceed the maximum rated weight limit of this product. This limit includes user and all gear taken to the platform area.
- Replace all webbing (straps), and cables every (2) years or sooner if any damage is present including but not limited to fraying, corrosion, cuts, tears, abrasions, fading, nicks, cuts or any signs that the webbing or cables have been fatigued or stressed by a fall or by anything including but not limited to supporting excess weight. If any of the damage stated above (or any other type of damage not listed) is present, is continue use of the product immediately.
- Do not use any treestand if ice or snow is present on the treestand or climbing aid.
- When using a climbing/lineman's belt to ascend the tree, the full body harness shall be attached to the tree before stepping down onto the treestand.
- Always have three (3) points of contact to any climbing aid while climbing. Never climb with anything on your back or in your hands while climbing. Take your time, do not be in a hurry!
- Prior to each use insure:
 - There are no visible signs of corrosion present.
 - There are no cracks in any tubing.
 - There are no cracks in any welds.
 - There are no loose weld joints.
 - All straps are in good condition without any fraying, cuts, nicks or other damage and have not been left on a tree for over two (2) weeks. If the straps have been left on a tree for over two (2) weeks or are two (2) years old or older, do not use the stand. Contact the manufacturer for replacement straps.

If any of the conditions stated above are not met, discontinue use of the product immediately!

- This product is intended to be used by responsible adults over the age of 18. Any person under the age of 18 should never use this product.
- Never use treestand or FBFAHS during inclement weather such as rain, lightning, windstorms, snow, hail, sleet or icy conditions. If any of these conditions are present, safely climb down and end your hunt. If any sign of bad weather is moving into your location, safely climb down or do not climb up into any treestand.
- Never bounce or jump on the stand or climbing stick for any reason. Doing this can damage the treestand causing the product to be over-loaded which could result in serious injury or death!
- Never hurry when installing, using, or removing this product. Hurrying causes accidents which may cause serious injury or death!
- Never use the FBFAHS or treestand while feeling ill, nauseous or dizzy, or if you have prior medical conditions that could cause a problem, that is, heart condition, joints that lock-up, spinal fusions, etc or if you are not well rested.
- Never use this product or FBFAHS under the influence of drugs, alcohol, or prescription medication. This includes many types of cold & flu medications purchased over the counter at the pharmacy. Always consult with your physician about prescription medications, over-the-counter medications and your physical ability while using any type of medications prior to using this product.
- Do not use this product unless you are in good physical condition without any physical limitations and have been fully rested the night before. Always consult with a medical physician before using this product to ensure safe and able use of this product.
- Do not use this product if you have any history of a heart condition or pulmonary issues without consulting with your physician for safe and proper use of this product.
- Never use a climbing aid on a dead, leaning, diseased, loose barked tree, on a utility pole or on trees that have any obstructions (such as knots or limbs) that may limit treestand use or stability! Never rely on a tree branch for support or as a step! Never use on any type of tree that has obstructions that may limit treestand use or cause instability of the treestand.
- Always pull up a bow, backpack, firearm or other equipment by means of a rope or hoist system and only after being secured in the treestand. Firearms and crossbows must be pulled up unloaded, chamber open and muzzle down towards the ground!
- Never modify this product in any way by making repairs, replacing parts, altering, adding or attaching anything to it except if explicitly authorized in writing by the manufacturer!
- Practice installing, adjusting and using this product at ground level prior to using it at elevated positions!
- Do not trim any tree branches or break-off any branches while using this product at an elevated position above ground level. All trimming/pruning must be done at ground level! A FBFAHS is required to be used any-time for any reason while using this product above ground level!
- Do not leave this product in the tree for more than two (2) weeks at a time. Weather, animals, tree growth, vandals and/or other environmental conditions may damage the product and webbing (straps) and the integrity of the stand. Never use a climbing aid such as this product or a treestand that has been left in a tree for more than two weeks. If using someone else's treestand/climbing aid, know how long the treestand/climbing aid has been attached to the tree before use. If this information is unknown, hunt from the ground!
- Before each use of this product, always inspect the product, components, your treestand and harness for: cracks, tears, cable wear, abrasion, corrosion, fractures, dents or other damage that may have occurred in transporting, storing or using your treestand. Do not use if any damage is present! Contact customer service for the appropriate repair / replacement procedure!
- All written and video instructions and warnings, ropes and/or straps, and full body fall arrest system must be stored in a safe, cool, and dry location. All video and written instructions and warnings must be reviewed annually. It is the responsibility of the treestand owner to furnish all warning and instructions to any person that is borrowing or purchasing the treestand. No treestand is complete without a full body fall arrest harness system and should never be used without a FBFAHS above ground level.
- Product colors and camo patterns are subject to change without notice. Your product may not appear to be the same as shown on box or label. Varying colors and/or camo patterns do not change the performance of this product. All product weights and heights are approximated and are subject to change without notice.
- Maintenance and inspections are required for years of trouble-free use. Always wipe down your products after each use. Always 100% inspect the product before and after each use! Never assume that any part, that may have been subjected to damage or wear, is ok for use. Stop use immediately and contact Summit Treestands immediately if you have any concerns or suspicions about your product.
- Leaving your treestand outside may allow the tubes to fill with water, freeze and cause them to rupture or burst. Inspection of treestand is required prior to each use! Any part of the of the treestand that has tubes that have deformed shape or burst due to freezing is not covered under warranty and its use should be discontinued immediately! Failure to do so could result in serious injury or death! Replacement components are supplied at owner's expense.

1 TREE SIZE / WEIGHT LIMIT

Stand Minimum and Maximum Tree Size: 8-20" Diameter (ALL MODELS)
Weight Limits: (includes hunter's weight PLUS weight of all gear carried into the treestand)
DO NOT EXCEED THESE WEIGHT LIMITS!

300 lb Rated Climbing Aid:
 SU85303 - Aluminum Folding Step Climbing Sticks

2 CLIMBING AID / COMPONENT WARNING LABELS (FOR REFERENCE ONLY)

⚠ WARNING
DO NOT REMOVE ANY WARNING LABELS FROM THE PRODUCT!

STAND WARNING LABEL

<p>WARNING! FALL HAZARD! ATTENTION! RISQUE DECHUTE!</p> <p>FALLS FROM HEIGHTS MAY RESULT IN SERIOUS INJURY OR DEATH! LES CHUTES A PARTIR D'UNE SURFACE EN HAUTEUR PEUVENT PROVOQUER DES BLESSURES GRAVES OU MORTELLES!</p>	<p>⚠ Avertissement</p> <p>MINIMIZABLE POINTS OF CONTACT when climbing! MAINTENEZ 3 POINTS DE CONTACT en montant!</p>	<p>⚠ WARNING</p> <p>MINIMIZE EXPOSURE to adverse conditions! MINIMISEZ L'EXPOSITION aux intempéries!</p>
<p>NOT USE this product unless you are wearing a Full Body Harness (Fall Arrest System) that meets the requirements of Test Method F2237. You must connect to yourself and the tree during ascending, hunting and descending. If you are not wearing a Full Body Harness there is proper fall attached to the tree. DO NOT leave the ground. Failure to use a Full Body Harness may result in serious injury or death.</p>	<p>DO NOT USE this product unless you are wearing a Full Body Harness (Fall Arrest System) that meets the requirements of Test Method F2237. You must connect to yourself and the tree during ascending, hunting and descending. If you are not wearing a Full Body Harness there is proper fall attached to the tree. DO NOT leave the ground. Failure to use a Full Body Harness may result in serious injury or death.</p>	<p>DO NOT USE this product unless you are wearing a Full Body Harness (Fall Arrest System) that meets the requirements of Test Method F2237. You must connect to yourself and the tree during ascending, hunting and descending. If you are not wearing a Full Body Harness there is proper fall attached to the tree. DO NOT leave the ground. Failure to use a Full Body Harness may result in serious injury or death.</p>
<p>USER MUST READ and follow manufacturer's instructions and WATCH VIDEO before use! L'UTILISATEUR DOIT LIRE ET suivre les instructions de fabricant ainsi que REGARDER LA VIDEO avant l'utilisation!</p>	<p>DO NOT LEAVE INSTALLED MORE THAN TWO WEEKS! NE LAISSEZ PAS INSTALLÉ PENDANT PLUS DE DEUX SEMAINES!</p>	<p>⚠ WARNING - DO NOT REMOVE THIS LABEL! FAILURE TO READ, UNDERSTAND AND FOLLOW ALL WARNINGS AND INSTRUCTIONS PROVIDED BEFORE EACH USE COULD RESULT IN SERIOUS INJURY OR DEATH. WEIGHT LIMIT: 300 lbs. TREE DIAMETER RANGE: 8 inch minimum to 20 inch maximum.</p>
<p>PRIOR TO USE, inspect and replace per manufacturer's instructions! Inspectez et remplacez selon les instructions du fabricant AVANT L'UTILISATION!</p>	<p>⚠ Avertissement - NE RETIREZ PAS CETTE ÉTIQUETTE! NÉGLIGER DE LIRE, DE COMPRENDRE ET DE SUIVRE TOUS LES AVERTISSEMENTS ET INSTRUCTIONS FOURNIS AVANT CHAQUE UTILISATION PEUT ENTRAÎNER DES BLESSURES GRAVES OU MORTELLES. POIDS LIMITE: 300 lb ECHELLE DE DIAMÈTRE DE L'ARBRE: de 8 pouces minimum à 20 pouces maximum.</p>	<p>⚠ Avertissement - NE RETIREZ PAS CETTE ÉTIQUETTE! NÉGLIGER DE LIRE, DE COMPRENDRE ET DE SUIVRE TOUS LES AVERTISSEMENTS ET INSTRUCTIONS FOURNIS AVANT CHAQUE UTILISATION PEUT ENTRAÎNER DES BLESSURES GRAVES OU MORTELLES. POIDS LIMITE: 300 lb ECHELLE DE DIAMÈTRE DE L'ARBRE: de 8 pouces minimum à 20 pouces maximum.</p>
<p>User must ALWAYS WEAR A HARNESS and STAY CONNECTED TO THE TREE once leaving the ground until returning to the ground! L'utilisateur doit TOUJOURS PORTER UN HARNAIS et RESTER ATTACHÉ à l'arbre une fois qu'il ne porte plus au sol et ce, jusqu'à son retour au niveau du sol!</p>	<p>INSTALL CLIMBING AIDS at least 24" above standing platform and no more than 18" apart. INSTALLER LES MARCHEPIEDS à au moins 24 pouces au-dessus de la plateforme et à 18 pouces ou moins d'écart!</p>	<p>© 2018 Summit Treestands, LLC. All Rights Reserved. Patented under U.S. Patent #10,028,424 and other pending patents. Tous droits réservés. Breveté par le brevet américain #10,028,424 et d'autres brevets en attente.</p>
<p>Summit Treestands, LLC PO Box 1925 Birmingham, AL 35201 PRACCO Outdoor Brands™ Product www.summitstands.com</p>	<p>Summit Treestands, LLC PO Box 1925 Birmingham, AL 35201 PRACCO Outdoor Brands™ Product www.summitstands.com</p>	<p>Summit Treestands, LLC PO Box 1925 Birmingham, AL 35201 PRACCO Outdoor Brands™ Product www.summitstands.com</p>

CAM BUCKLE STRAP

- Always inspect this strap for fraying, rips, tears, cuts, corrosion, wear or any other type of damage prior to each use! DO NOT USE IF ANY of this damage is present!
- This strap is used on specific Summit Treestands set forth in the instruction manual ONLY! DO NOT use for any other purpose.
- The use of a full body fall arrest harness system (FBFAHS) that meets the requirements of Test Method F2237 is required at all times when using this product. Read and follow the manufacturer's instruction regarding safe use. DO NOT LEAVE THIS PRODUCT OUTDOORS FOR MORE THAN TWO WEEKS AT A TIME. WEATHER, ANIMALS, TREE GROWTH, VANDALS AND/OR OTHER ENVIRONMENTAL CONDITIONS MAY DAMAGE THE PRODUCT AND ITS INTEGRITY. NEVER USE A STAND THAT HAS BEEN LEFT OUTDOORS FOR MORE THAN TWO WEEKS. ALWAYS INSPECT THE STAND AND ITS COMPONENTS THOROUGHLY BEFORE EACH USE. STORE INSIDE IN A DRY ENVIRONMENT.

⚠ WARNING FAILURE TO FOLLOW ALL WARNINGS LISTED COULD RESULT IN SERIOUS INJURY OR DEATH. READ, UNDERSTAND, AND FOLLOW ALL MANUFACTURER'S WRITTEN INSTRUCTIONS PRIOR TO USE.

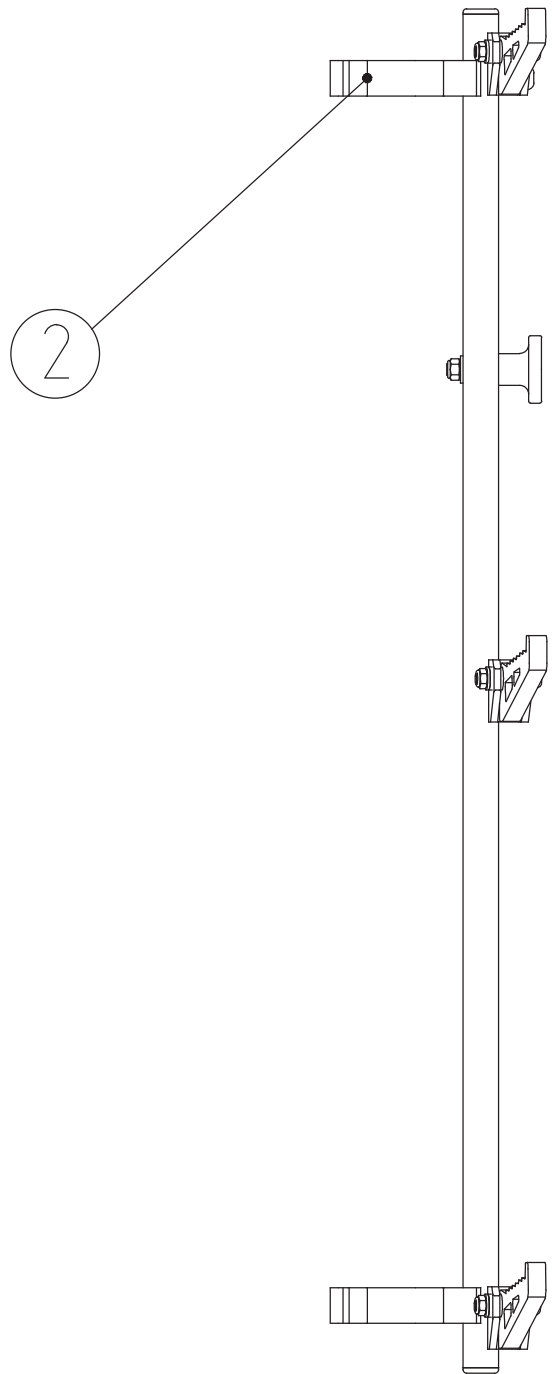
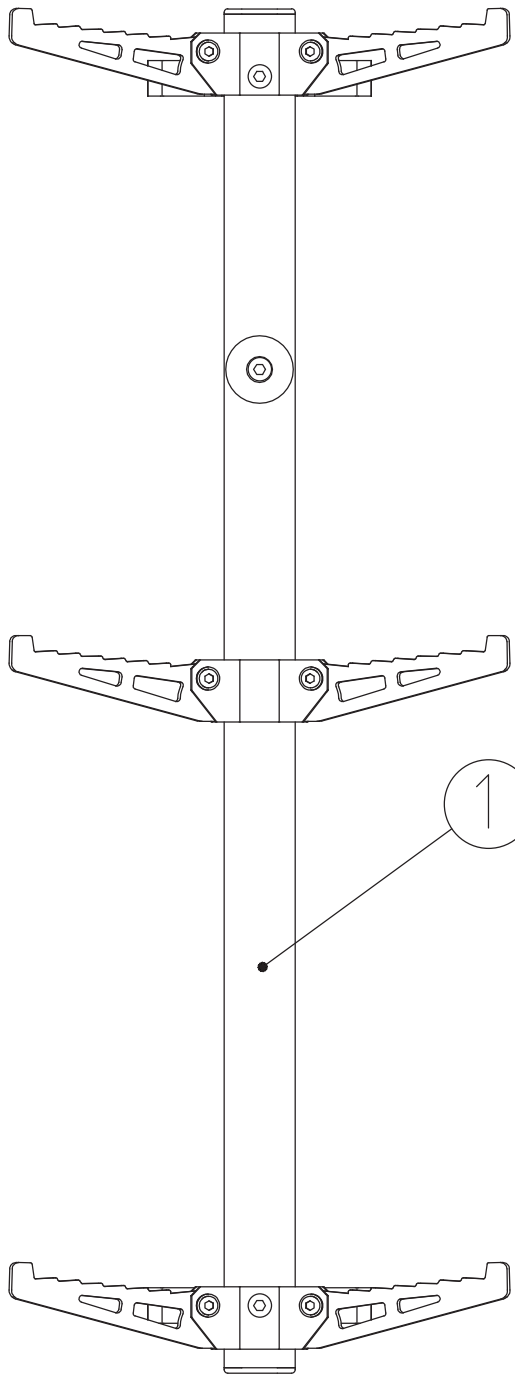
• This product must be discarded after two (2) years of the date of sale to the consumer. Failure to discard this Strap as directed could result in serious injury or death. Replacement Straps may be purchased at www.summitstands.com.

Summit Treestands • PO Box 1925 • Birmingham, AL 35201
www.summitstands.com

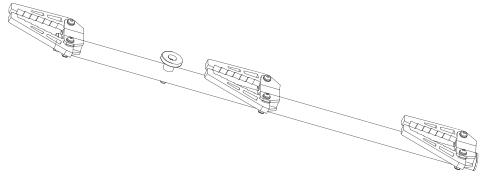
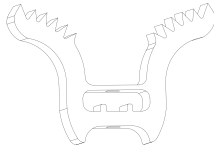

Manufacture Date:

Month:

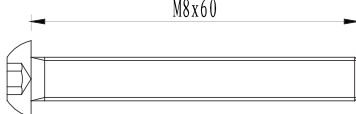
Made in China




3 PARTS LIST

PART NUMBER	QTY	DESCRIPTION	IMAGE
SU85303-01	3	Stick Section	
SU85303-02	6	V-Bracket	
SU85303-03	3	Cam-Buckle Strap	

4 HARDWARE PACKET CONTENT

Step 1	M8 x 60 Socket Screw		Qty 6
-----------	-------------------------	--	----------

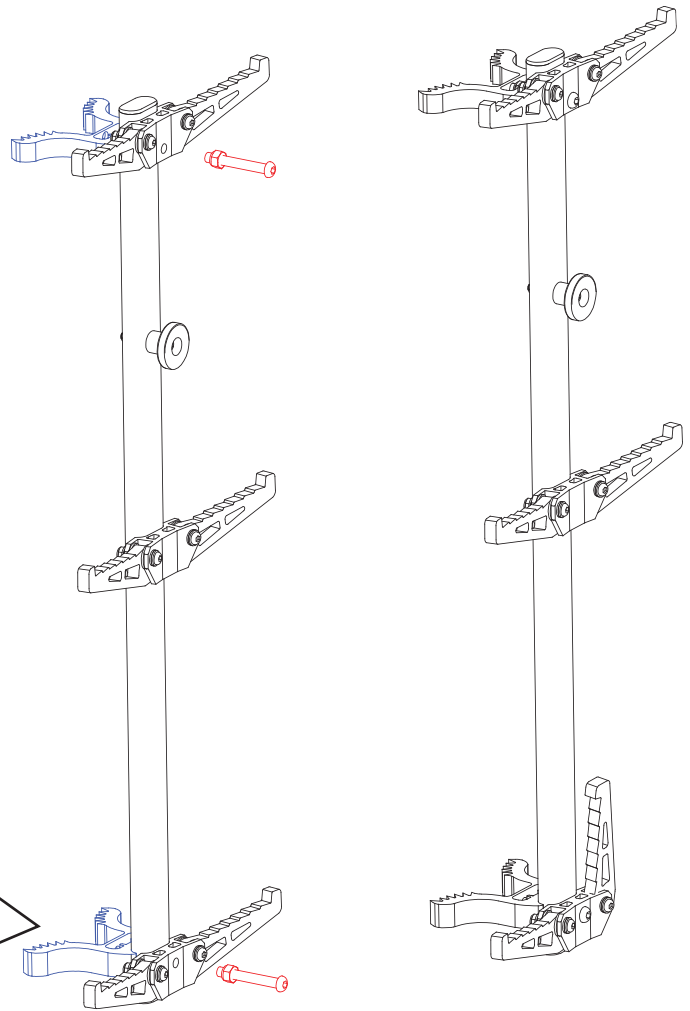
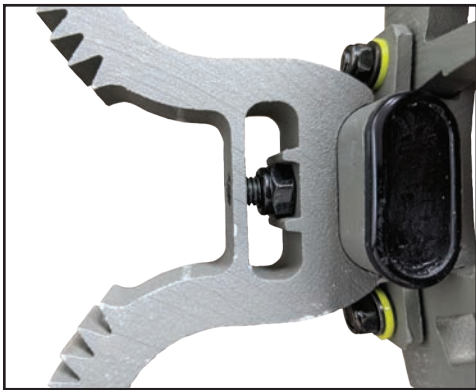
5 TOOLS REQUIRED (PROVIDED)

1	1 Allen Head Wrench (1 pcs)	
---	--------------------------------	--

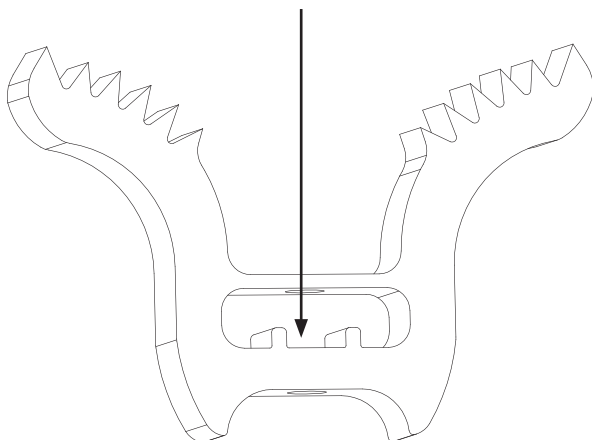
1 V-Bracket Assembly

**Hardware: M8x60 Hexagon Socket Screws
6 Nuts**

Assemble the Socket Screw, and V-Bracket as shown in the Figure. Place the nut into the slot in each V-Bracket labeled Nut Location in the Figure. Tighten the bolt using the Allen Head Wrench. Ensure that after fully tightening that the nut sits flush on the inner surface of the V-Bracket and remains fully captured in the slots within the V-Bracket, as shown in the photograph. Repeat this assembly procedure for the top and bottom V-Bracket assembly locations of all 3 step sections.



Nut Location



7 INSTALLATION

⚠ WARNING

Before proceeding **YOU MUST** properly attach a FBFAHS with Lineman's Belt in order to support your weight. Read, understand and follow your FBFAHS instructions and warnings. A FBFAHS with Lineman's Belt **MUST BE USED AT ALL TIMES** when installing, removing or using any fixed position climbing aid or fixed position treestand. If you do not have a FBFAHS (one should have been provided with your treestand) do not install or use this product.

1. Prior to hanging any Climbing Aid, the use of a Full Body Fall Arrest Harness System is required using the Lineman's belt of the FBFAHS. The FBFAHS is **NOT** included with this product but it is **REQUIRED** for installation, removal and use of this product. If you do not have a FBFAHS, do not use this product. Failure to properly attach and use a FBFAHS from the moment you leave the ground until you return to the ground could lead to serious injury or death.

2. Select a straight, healthy tree without any obstructions (branches or limbs).

3. Two (2) or more able adults are required when attaching climbing aids to a tree.

4. At ground level, place the first step to the tree approximately 15" above ground level with the two V-Brackets flush against the tree and the step section vertically level.

5. Place the loop at the end of the cam-buckle strap around the quick attachment knob, as shown in **Figures 1 and 2**.

6. Wrap the cam-buckle strap around the tree and secure the loop at the other end of the cam-buckle strap around the quick attachment knob, as shown in **Figures 2 and 3**. There should not be any twists in the strap as it runs around the tree and the cam buckle should be facing outward from the tree, as seen in **Figure 4**.



⚠ WARNING

Sectional ladders and steps shall be spaced on the tree to insure each step is no more than 18 in. (45.72 cm) apart.

7. Pull the strap tight as shown in **Figure 5**.

8. With the first step section properly secured to the tree, attach your Lineman's Belt to your FBFAHS and use per the instructions that were included with your FBFAHS. Climb up the first Step. Have the other able adult hand you the next step section. Place it no more than 18" above the already secured step section with the V-Brackets flush against the tree and the step section vertically level. Secure the step section to the tree by repeating steps 5-7.

9. Pull the remaining step section up using a hoist rope. Place it no more than 18" above the already secured step section with the V-Brackets flush against the tree and the step section vertically level. Secure the step section to the tree by repeating steps 5-7.

NOTE: Place each Step Section about 15" apart or less to avoid any issues while ascending or descending the tree. Steps should never be placed more than 18" apart.

10. Carefully descend the tree and detach your FBFAHS once you are at ground level. **DO NOT INSTALL OR OTHERWISE USE THIS PRODUCT UNLESS YOU ARE SECURED TO THE TREE WITH A FBFAHS AND LINEMAN'S BELT STRAP.** Inspect ALL straps prior to each use!



⚠ WARNING

ALWAYS ENSURE that the cam buckle faces out with no twists in the strap as shown in **Figures 4 and 5**.

⚠ WARNING

When descending to remove the Folding Steps: **NEVER** release any connecting straps until you are securely standing on the section below it and attached to the tree with a FBFAHS and a Lineman's Belt. **ALWAYS** support your weight on the Folding Step section still securely attached and **ALWAYS** use a Lineman's Belt and FBFAHS until you are securely on the ground!

Inspect ALL sticks prior to each use for undue wear, deformity, corrosion, or other damage and all straps, webbing, and ropes for fraying, rips, tears, nicks, cuts, undue wear or any other type of damage. Discontinue use IMMEDIATELY if any of this damage is present.

REMOVAL

1. With the climbing aid properly attached to the tree, attach your Lineman's Belt to your FBFAHS following your FBFAHS instructions. Climb up the Folding Steps until you reach the top Folding Step. While standing on the Folding Step below the one you are removing, disengage the strap and remove the Folding Step from the tree. Lower the Folding Step to the ground using a hoist rope.
2. Repeat this process until you are safely back on the ground. NEVER stand on any Climbing Aid while removing or disengaging the straps!

⚠ WARNING

When descending to remove the Climbing Aid: **NEVER** release any connecting straps until you are securely standing on the section below it and attached to the tree with a FBFAHS and a Lineman's Belt. **ALWAYS** support your weight on the Climbing Aid section still securely attached and **ALWAYS** use a Lineman's Belt and FBFAHS until you are securely on the ground!

8 MAINTENANCE AND CARE

- When not in use, store your treestand in a dry place to keep water from pooling inside the stand tubing. Water that is allowed to fill the stand tubing and freeze will rupture the tubing.
- The powdercoat finish applied at the factory is very durable and should only need touch ups in areas of heavy wear or accidental impact. Use a high quality, outdoor spray paint to cover any bare metal areas that might develop. Inspect the stand before use, every time. DO NOT use if any corrosion (rust) is present.
- When transporting your Summit Treestand be sure it is securely tied down and be sure no other objects can slide into or hit the treestand possibly causing damage.
- Replace all ropes, webbing and cables every two (2) years.

⚠ CAUTION

Look for nicks, gouges, cuts, cracks, bends, corrosion or similar damage that can be the result of improper use or accidental damage. For instance, this could occur if someone else used the treestand without knowledge of its proper use, or if the treestand were dropped, hit by a motor vehicle or subject to corrosive conditions, etc.

Should you damage any part of your Summit Treestand, contact your nearest authorized Summit dealer or the factory to obtain the proper corrective action procedure and/or replacement parts for the treestand.

Summit Treestands have the highest structural integrity by design, material selection and manufacturing techniques, but as its owner, only your continued care will assure trouble free performance. When the above-mentioned guidelines are followed, your Summit Treestand will provide years of successful hunting.

9 LIMITED WARRANTY

(A) Warranty

Summit Treestands, LLC (Summit) warrants to the original retail purchaser that all products manufactured by it are free from defects in material and manufacture at the time of shipment for twelve (12) months from the date of purchase. Summit will repair or replace any part found defective if the unit claimed to be defective shall be returned to Summit, postage prepaid, within the warranty period.

This warranty shall not apply to any product which has been subjected to misuse; misapplication; neglect (including but not limited to improper maintenance); accident; improper installation; modification (including but not limited to use of unauthorized parts or attachments); adjustment or repair. THE FOREGOING IS IN LIEU OF ALL OTHER WARRANTIES, WHETHER EXPRESS OR IMPLIED (INCLUDING THOSE OF MERCHANTABILITY AND FITNESS OF ANY PRODUCT FOR A PARTICULAR PURPOSE), AND OF ANY OTHER OBLIGATION OF LIABILITY ON THE PART OF THE COMPANY.

(B) Limitation of Liability

It is expressly understood that Summit's liability for its products, whether due to breach of warranty, negligence, strict liability, or otherwise, is limited to the repair of the product, as stated above, and Summit will not be liable for any other injury, loss, damage, or expense, whether direct or consequential, including but not limited to loss of use, income, profit, or damage to material, arising in connection with the sale, installation, use of, inability to use, or the repair or replacement of Summit's products.

Summit reserves the right to make alterations or modifications in its products at any time, which in its opinion, may improve the performance and efficiency of the product. It shall not be obligated to make such alterations or modifications to products already in service.

Please take the time to fill out the warranty card online at <http://www.summitstands.com/warranty>





Instructions relatives aux bâtons de montée en aluminium à marches rabattables Summit

SU85303

© 2020 Summit Treestands, LLC • PO Box 1295 • Birmingham, AL 35201
www.Summitstands.com



ATTENTION

VOUS DEVEZ LIRE TOUTES LES DIRECTIVES ÉCRITES ET REGARDER CETTE VIDÉO SUR LA SÉCURITÉ AVANT L'UTILISATION!



REGARDEZ CETTE VIDÉO SUR LA SÉCURITÉ AVANT L'UTILISATION!

Scannez →



ou Visitez →

www.standsafety.com/s8

Scannez le code QR à l'aide de votre téléphone intelligent, tablette ou appareil similaire.

OU

Tapez l'adresse du site Web dans votre navigateur afin de pouvoir visionner une vidéo importante sur la sécurité avant d'utiliser ce produit.

SÉCURITÉ DU DISPOSITIF POUR MONTER



AVERTISSEMENT

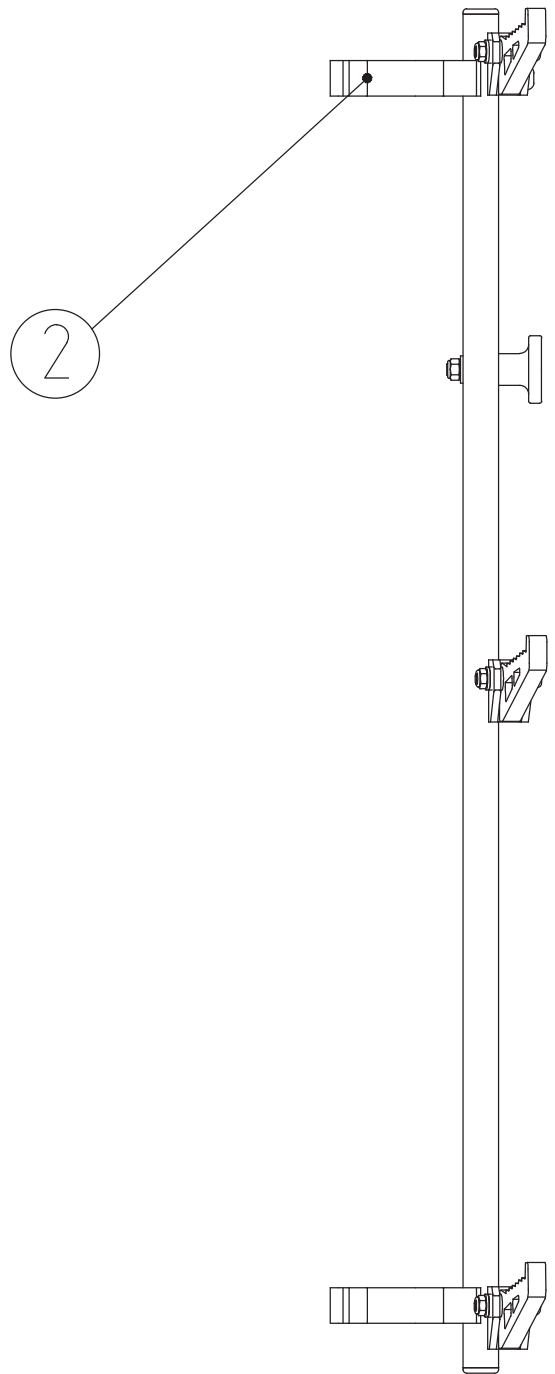
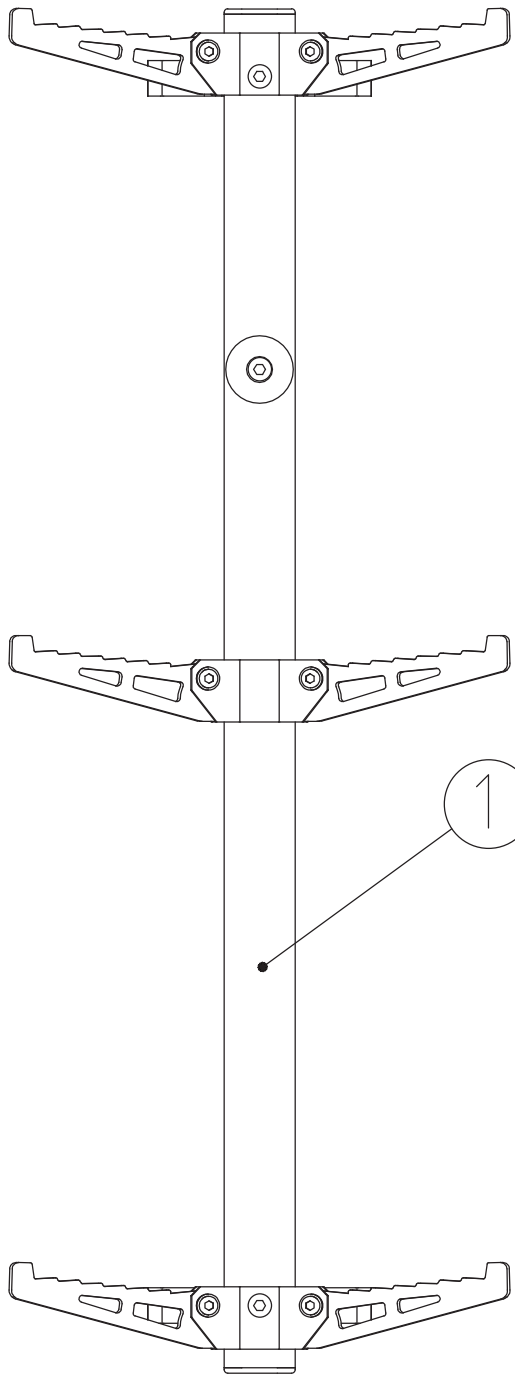
LE FAIT DE NE PAS LIRE ET RESPECTER TOUS LES AVERTISSEMENTS ET TOUTES LES INSTRUCTIONS DU FABRICANT CONSTITUE UN MAUVAISE USAGE DE CE PRODUIT ET PEUT ENTRAÎNER DES BLESSURES GRAVES, VOIRE LA MORT!

- N'utilisez pas ce produit tant que vous ne comprenez pas comment le faire de façon sécuritaire et adéquate. Vous devez lire et respecter toutes les instructions et tous les avertissements avant chaque utilisation! Rangez ces instructions dans un endroit sûr et étudiez-les périodiquement et au moins une fois par année. Assurez-vous que tous les utilisateurs ont étudié ces instructions avant toute utilisation.
- Un système de harnais complet contre les chutes (SHCC) n'est pas fourni avec ce produit. Cependant, ce produit est destiné à être utilisé en tout temps avec un SHCC. Lors de l'utilisation de ce produit, il faut porter un SHCC relié à l'arbre en tout temps après avoir quitté le sol. Ce produit doit être utilisé uniquement avec des miradors qui ont fait l'objet d'essais et qui sont certifiés pour respecter ou dépasser les normes reconnues par la Treestand Manufacturers Association (TMA). Ces miradors sont vendus avec des harnais (SHCC) dotés de ceintures de monteur répondant aux exigences de la méthode d'essai F2337. Ces SHCC avec ceintures de monteur permettent au chasseur d'être relié à l'arbre en tout temps après avoir quitté le sol. Si vous n'avez pas de SHCC, n'utilisez pas ce produit.
- Dans les présentes instructions, on entend par « mirador » les trépieds, les supports de montée, les miradors à position fixe et les miradors à échelle.
- Quand vous chassez dans un mirador, des chutes peuvent survenir à tout moment après avoir quitté le sol! Toute chute peut entraîner des blessures graves, voire la mort! L'utilisation d'un système de harnais complet contre les chutes (SHCC) est nécessaire quand vous utilisez tout mirador. Si vous n'avez pas de SHCC, chassez à partir du sol!
- L'utilisation de ce produit nécessite le port d'un système de harnais complet contre les chutes (SHCC) qui comprend une ceinture de monteur. Celle-ci permet à l'utilisateur de rester attaché à l'arbre lorsqu'il y monte ou en descend, soit en tout temps à partir du moment où il quitte le sol jusqu'à ce qu'il y redescende. Le SHCC doit être utilisé et attaché à l'arbre avant d'accéder à la plateforme du mirador, et il faut le porter et le garder attaché à l'arbre en tout temps lors de l'utilisation du mirador, et ce, jusqu'au retour au sol en toute sécurité. Lisez et respectez toutes les instructions fournies avec votre SHCC.
- L'arrimage du harnais doit être le plus court possible en tout temps. Il doit être ajusté de façon à se trouver au-dessus de la tête, sans mou (bien ajusté) en position assise. Le non-respect de cette consigne peut entraîner la suspension sans possibilité de se rétablir sur le mirador. Soyez conscient des dangers relatifs à une suspension dans un SHCC et du fait qu'une suspension prolongée dans un harnais peut s'avérer mortelle.
- Vous devez garder sur vous un appareil de signalisation comme un téléphone mobile, une radio, un sifflet, une fusée de signalisation ou un appareil de repérage individuel qui doit être disponible en tout temps. Si d'autres personnes ne connaissent pas votre emplacement de chasse et que vos efforts de communication échouent, vous devez disposer d'un plan personnel pour vous rétablir ou vous tirer d'affaire avant de monter dans l'arbre. La suspension prolongée dans un harnais peut s'avérer mortelle. Il est important de faire travailler les jambes en poussant contre l'arbre ou en faisant d'autres formes d'exercice continu afin d'éviter l'accumulation de sang lors de la suspension. Les chasseurs dont le niveau de forme physique varie peuvent nécessiter des plans différents pour se rétablir ou se tirer d'affaire afin d'éviter les effets d'une suspension prolongée. Ayez un plan personnel et mettez-le en pratique en présence d'un adulte responsable avant de quitter le sol. Aucun plan de rétablissement ne fonctionnera pour tous les chasseurs dans tous les arbres et dans toutes les circonstances. Vous seul pouvez déterminer le meilleur plan de rétablissement adapté à votre situation de chasse, et vous devez disposer d'un tel plan avant de quitter le sol. Chassez à partir du sol quand un tel plan n'est pas disponible.
- Si vous avez des questions ou des préoccupations au sujet des instructions, des avertissements ou de l'utilisation adéquate du mirador, ne l'utilisez pas. Communiquez avec le fabricant. Ne l'utilisez pas tant que vous ne comprenez comment le faire de façon sécuritaire et adéquate. Conservez tous les avertissements et toutes les instructions pour examen ultérieur, au besoin, pour quiconque emprunte votre mirador et votre SHCC ou pour les transmettre au nouveau propriétaire lors de la vente. Utilisez tous les dispositifs de sécurité fournis avec votre mirador et votre SHCC.
- L'utilisation d'une ceinture de monteur avec votre SHCC est nécessaire lors de l'installation, de l'utilisation ou du retrait de toute aide à la montée ou de tout mirador à position fixe.
- Inspectez toutes les cordes et sangles avant chaque utilisation. Assurez-vous que le sol sous l'aide à la montée est ferme et de niveau.
- Positionnez toujours ce produit au-dessus d'un mirador à position fixe de façon que l'utilisateur puisse descendre sur le mirador.
- Descendez toujours sur la plateforme de tout mirador à position fixe. Le positionnement du mirador à position fixe doit être inférieure à la partie supérieure de l'aide à la montée.
- Les échelles sectionnelles et les marches doivent être espacées sur l'arbre de façon à ce que toutes les marches soient espacées d'au plus 45,72 cm (18 po) les unes des autres.

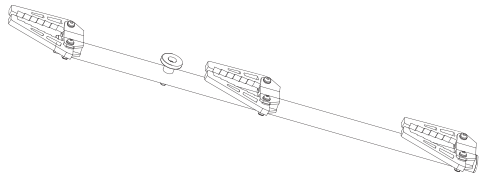
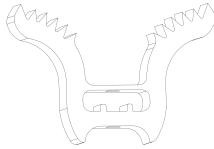

- Les aides à la montée suspendues doivent être positionnées sur l'arbre au-dessus de la plateforme à une hauteur à laquelle l'utilisateur peut garder une prise sur l'unité et descendre sur le mirador. Ne montez jamais sur le mirador depuis un dispositif de montée.
- Quand vous utilisez ce produit ou un mirador à position fixe, ne vous détachez jamais de l'arbre, peu importe la raison. Utilisez un processus d'attache en deux points (double) quand vous vous déplacez sur le mirador ou autour d'obstacles. Il faut porter un SHCC en tout temps au-dessus du niveau du sol.
- Inspectez toutes les cordes et sangles avant chaque utilisation ou avant de monter sur l'aide à la montée. Le non-respect de cette consigne peut entraîner de graves blessures, voire la mort.
- N'utilisez pas ce produit tant que vous ne comprenez pas comment l'utiliser de façon sécuritaire et adéquate. Lisez et respectez toutes les instructions et tous les avertissements avant chaque utilisation!
- Inspectez l'aide à la montée, les cordes et les sangles avant chaque utilisation pour y déceler de l'usure excessive, des déformations, de la corrosion ou d'autres dommages. Inspectez toutes les sangles et cordes pour y déceler de l'effilochage, des déchirures, des coupures, de l'usure excessive ou tout autre type de dommages. Cessez immédiatement l'utilisation si des dommages sont présents.
- Ne dépassez jamais la limite de poids nominale maximale de ce produit. Cette limite comprend l'utilisateur et tout l'équipement posé sur la plateforme.
- Remplacez toutes les sangles et tous les câbles tous les deux (2) ans ou avant si des dommages sont présents, y compris, sans s'y limiter, de l'effilochage, de la corrosion, des coupures, des déchirures, de l'abrasion, de la décoloration ou tout signe de fatigue ou de stress au niveau des sangles ou des câbles causé par une chute ou par le soutien, entre autres, d'un poids excessif. Si l'un des dommages susmentionnés (ou tout autre type de dommages non mentionné) est présent, cessez immédiatement l'utilisation du produit.
- N'utilisez aucun mirador si de la glace ou de la neige est présente sur le mirador ou l'aide à la montée.
- Quand vous utilisez une ceinture de monteur pour monter dans l'arbre, le harnais complet doit être attaché à l'arbre avant de descendre sur le mirador.
- Utilisez toujours trois (3) points de contact quand vous utilisez toute aide à la montée. Ne montez jamais avec de l'équipement sur le dos ou dans les mains. Prenez votre temps, ne vous pressez pas!
- Avant chaque utilisation, assurez-vous de ce qui suit :
 - Il n'y a aucun signe de corrosion
 - Aucun tube n'est fissuré
 - Aucune soudure n'est fissurée
 - Aucun joint soudé n'est lâche
 - Toutes les sangles sont en bon état et ne présentent pas d'effilochage, de coupures ou d'autres dommages, et elles n'ont pas été laissées dans un arbre pendant plus de deux (2) semaines. Si les sangles ont été laissées dans un arbre pendant plus de deux (2) semaines, ou si elles sont âgées de plus de deux (2) ans, n'utilisez pas le mirador. Communiquez avec le fabricant pour obtenir des sangles de rechange.

Si l'une des conditions ci-dessus n'est pas satisfaite, cessez immédiatement l'utilisation du produit!

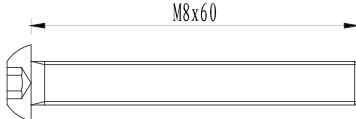
- Ce produit est destiné à être utilisé par des adultes responsables âgés de 18 ans et plus. Les personnes âgées de moins de 18 ans ne doivent jamais utiliser ce produit.
- N'utilisez jamais un mirador ou un SHCC par mauvais temps, par exemple en présence de pluie, de foudre, de vents forts, de neige, de grêle, de grésil ou de glace. En présence de ces éléments, descendez du mirador en toute sécurité et mettez fin à votre partie de chasse. Si des signes vous indiquent que de mauvaises conditions météorologiques s'approchent de votre emplacement, descendez du mirador en toute sécurité et ne montez dans aucun mirador.
- Ne sautez jamais sur un mirador ou un bâton de montée, peu importe la raison, ce qui pourrait endommager le mirador par surcharge et entraîner ainsi de graves blessures, voire la mort!
- Ne vous pressez jamais quand vous installez, utilisez ou retirez ce produit. Se presser cause des accidents qui peuvent entraîner de graves blessures, voire la mort!
- N'utilisez jamais le SHCC ou le mirador si vous vous sentez malade, nauséux ou étourdi, ou si vous souffrez d'un trouble médical qui peut poser problème, par exemple, une maladie cardiaque, des joints qui se coincent, des fusions vertébrales, etc., ou si vous n'êtes pas bien reposé.
- N'utilisez jamais ce produit ou le SHCC avec les facultés affaiblies par la drogue, l'alcool ou des médicaments sous ordonnance. Les médicaments comprennent également les médicaments contre le rhume et la grippe vendus sans ordonnance à la pharmacie. Consultez toujours votre médecin au sujet des médicaments sous et sans ordonnance et de votre capacité physique à prendre tout type de médicaments avant d'utiliser ce produit.
- N'utilisez pas ce produit à moins d'être en bonne forme physique, sans limite physique, et de bien vous être reposé la veille. Avant d'utiliser ce produit, consultez toujours un médecin pour vous assurer qu'il est sécuritaire de le faire et que vous en êtes capable.
- N'utilisez pas ce produit si vous avez des antécédents de maladie cardiaque ou pulmonaire sans d'abord consulter votre médecin pour vous assurer qu'il est sécuritaire d'utiliser ce produit et que vous en êtes capable.
- N'utilisez jamais une aide à la montée sur un arbre mort, penché, atteint d'une maladie ou dont l'écorce est lâche, sur un poteau des services publics ou sur un arbre qui présente des obstacles (nœuds ou branches) qui peuvent limiter l'utilisation ou la stabilité du mirador! N'utilisez jamais une branche pour vous appuyer ou comme marche! N'utilisez jamais sur tout type d'arbres qui présente des obstructions qui pourraient limiter l'utilisation du mirador ou en causer l'instabilité.
- Hissez toujours un arc, un sac à dos, une arme à feu ou tout autre équipement au moyen d'une corde ou d'un système de treuil, et ce, uniquement après vous être attaché dans le mirador. Les armes à feu et les arbalètes doivent être hissées quand elles sont déchargées, la chambre ouverte et la bouche du canon orientée vers le sol!
- Ne modifiez jamais ce produit de quelque façon que ce soit en y apportant des réparations, en remplaçant des pièces, en modifiant quoi que ce soit ou en y ajoutant ou y fixant quoi que ce soit, sauf si le fabricant l'autorise expressément par écrit!
- Pratiquez l'installation, l'ajustement et l'utilisation de ce produit au niveau du sol avant de le faire en position élevée!
Ne coupez ou ne cassez aucune branche quand vous êtes dans votre mirador en position élevée. Toutes les coupes doivent se faire au sol! Il faut porter un SHCC en tout temps dès qu'on utilise ce produit au-dessus du niveau du sol!
- Ne laissez jamais ce produit dans un arbre pendant plus de deux (2) semaines d'affilée. Les conditions météorologiques, les animaux, la croissance de l'arbre, des vandales ou d'autres conditions environnementales peuvent endommager le produit et les sangles et nuire à l'intégrité du mirador. N'utilisez jamais une aide à la montée comme ce produit ou un mirador qui a été laissé à l'extérieur pendant plus de deux semaines. Si vous utilisez le mirador ou l'aide à la montée de quelqu'un d'autre, vous devez savoir depuis combien de temps il est fixé à l'arbre avant de l'utiliser. Si vous ne disposez pas de cette information, chassez à partir du sol!
- Avant chaque utilisation de ce produit, inspectez toujours le produit, les composants, votre mirador et le harnais pour déceler ce qui suit : des fissures, des déchirures, des câbles usés, de l'abrasion, de la corrosion, des fractures, des bosses ou d'autres dommages qui peuvent être survenus lors du transport, de l'entreposage ou de l'utilisation de votre mirador. Ne l'utilisez pas en présence de tout dommage! Communiquez avec le service à la clientèle pour obtenir la procédure de réparation ou de remplacement pertinente!
- Toutes les instructions et tous les avertissements écrits, toutes les cordes et sangles et le système de harnais complet contre les chutes doivent être rangés dans un endroit sûr, frais et sec. Toutes les instructions et tous les avertissements écrits et vidéographiques doivent faire l'objet d'un examen annuel. Le propriétaire du mirador est responsable de fournir toutes les instructions et tous les avertissements à quiconque emprunte ou achète le mirador. Aucun mirador n'est complet sans système de harnais complet contre les chutes et ne devrait jamais être utilisé sans ce dernier au-dessus du niveau du sol.
- Les couleurs et les motifs de camouflage du produit peuvent changer sans préavis. Votre produit peut avoir une apparence différente de celle affichée sur la boîte ou l'étiquette. Les différences de couleurs et de motifs de camouflage n'altèrent pas le rendement de ce produit. Toutes les valeurs de poids et de hauteur sont approximatives et peuvent changer sans préavis.
- Des entretiens et des inspections sont nécessaires pour assurer des années d'utilisation sans problème. Essayez toujours vos produits après chaque utilisation. Inspectez toujours le produit en entier avant et après chaque utilisation! Ne partez jamais du principe que toute pièce qui peut avoir été endommagée ou usée convient à l'utilisation. Cessez immédiatement l'utilisation et communiquez avec Summit Treestands si vous avez des préoccupations ou des soupçons à l'égard de votre produit.
- Le fait de laisser votre mirador à l'extérieur peut permettre aux tubes de se remplir d'eau, laquelle peut geler et causer la rupture ou l'éclatement des tubes. Il est nécessaire d'inspecter le mirador avant chaque utilisation! Les parties du mirador dont les tubes sont déformés ou éclatés en raison du gel ne sont pas protégées par la garantie, et il faut cesser immédiatement l'utilisation! Le non-respect de cette consigne peut entraîner de graves blessures.



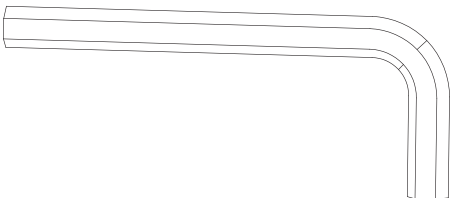
3 LISTE DE PIÈCES

NUMÉRO DE PIÈCE	QTÉ	DESCRIPTION	IMAGE
SU85303-01	3	Section de bâton	
SU85303-02	6	Support en V	
SU85303-03	3	Sangle à boucle à came	

4 CONTENU DES SACS DE QUINCAILLERIE

Étape 1	M8 x 60 Vis à tête creuse		Qté 6
------------	------------------------------	--	----------

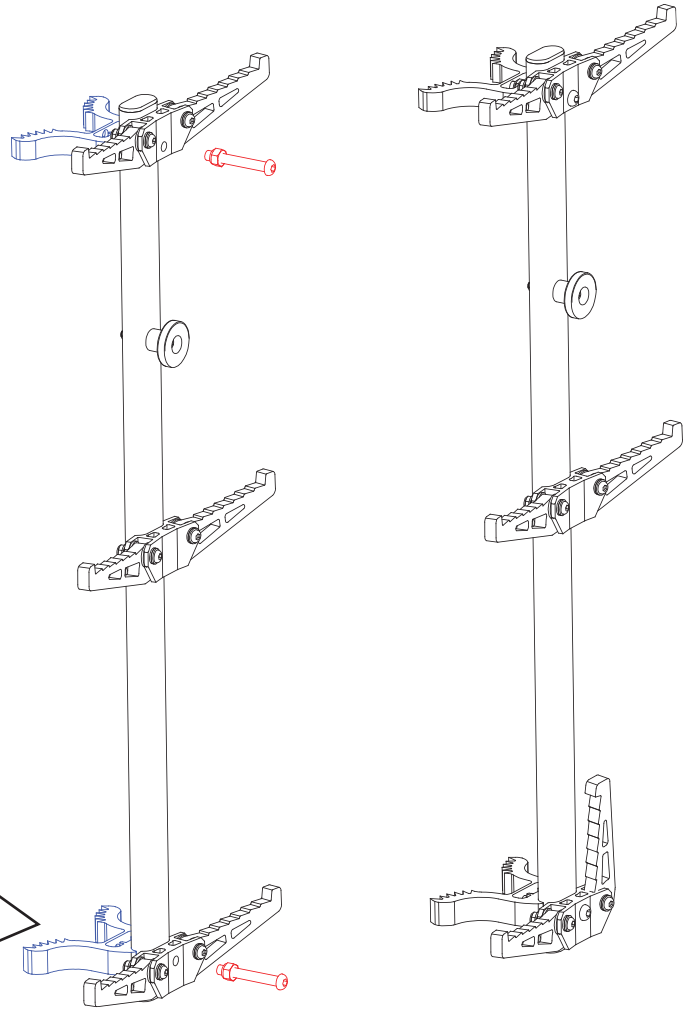
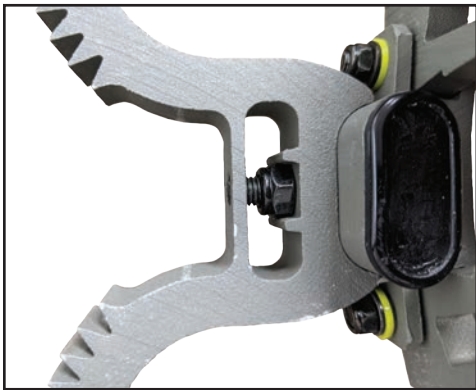
5 OUTILS NÉCESSAIRES (FOURNIS)

1	1 clé hexagonale (1 mcx)	
---	-----------------------------	--

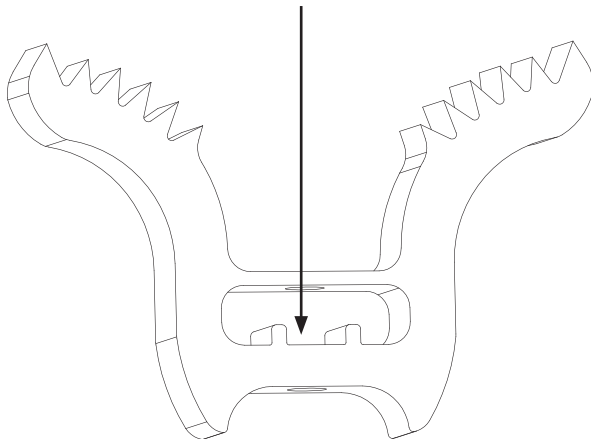
1 Ensemble de support en V

**Quincaillerie : Vis à tête creuse hexagonale M8x60
6 écrous**

Assemblez la vis à tête creuse et le support en V, comme illustré sur la figure. Placez l'écrou dans la fente de chaque support en V, à l'emplacement destiné à l'écrou étiqueté sur la figure. Serrez la vis à l'aide de la clé hexagonale. Après avoir serré complètement la vis, assurez-vous que l'écrou est au même niveau que la surface intérieure du support en V et qu'il reste bien coincé dans les fentes pratiquées dans le support en V, comme illustré sur la photo. Répétez cette procédure d'assemblage pour les ensembles de support en V supérieur et inférieur pour les 3 sections de marche.



Emplacement de l'écrou



7 INSTALLATION

⚠ AVERTISSEMENT

Avant de continuer, VOUS DEVEZ attacher adéquatement un SHCC avec ceinture de monteur pour soutenir votre poids. Lisez, comprenez et respectez les instructions et les avertissements de votre SHCC. IL FAUT PORTER EN TOUT TEMPS un SHCC avec ceinture de monteur lors de l'installation, du retrait et de l'utilisation de toute aide à la montée fixe ou de tout mirador à position fixe. Si vous n'avez pas de SHCC (on devrait vous en avoir remis un avec votre mirador), n'installez ou n'utilisez pas ce produit.

1. Avant de suspendre toute aide à la montée, il est nécessaire de porter un système de harnais complet contre les chutes avec la ceinture de monteur de ce système. Le SHCC N'est PAS compris avec ce produit, mais il est NÉCESSAIRE pour l'installation, le retrait et l'utilisation de ce produit. Si vous n'avez pas de SHCC, n'utilisez pas ce produit. Le fait de ne pas bien attacher un SHCC dès que vous quittez le sol jusqu'à votre retour au sol peut entraîner de graves blessures, voire la mort.

2. Choisissez un arbre droit et sain, sans obstruction (branches).

3. Deux (2) adultes capables ou plus sont nécessaires pour attacher une aide à la montée à un arbre.

4. Au sol, placez la première marche sur l'arbre à environ 38 cm (15 po) du sol, les deux supports en V affleurant l'arbre et la section de marche de niveau à la verticale.

5. Placez la boucle de la sangle à boucle à came autour du bouton d'attache rapide, comme illustré sur les **figures 1 et 2**.

6. Enroulez la sangle à boucle à came autour de l'arbre et attachez la boucle à l'autre extrémité de la sangle autour du bouton d'attache rapide, comme illustré sur les figures 2 et 3. La sangle ne doit pas être tordue en aucune partie autour de l'arbre, et la boucle à came doit être orientée vers l'extérieur de l'arbre, comme illustré sur la **figure 4**.



⚠ AVERTISSEMENT

Les échelles sectionnelles et les marches doivent être espacées sur l'arbre afin que chaque marche soit distancée d'au plus 45,72 cm (18 po).

7. Tirez la sangle pour la tendre, comme illustré sur la **figure 5**.

8. Une fois la première section de marche bien fixée à l'arbre, attachez la ceinture de monteur à votre SHCC et utilisez cet équipement conformément aux instructions fournies avec votre SHCC. Montez sur la première marche. Demandez à l'autre adulte de vous donner la section de marche suivante. Placez-la à au plus 45,72 cm (18 po) de la section de marche déjà fixée, les supports en V affleurant l'arbre et la section de marche de niveau à la verticale. Fixez la section de marche à l'arbre conformément aux étapes 5 à 7.

9. Tirez la dernière section de marche à l'aide d'une corde de levage. Placez-la à au plus 45,72 cm (18 po) au-dessus de la section de marche déjà fixée, les supports en V affleurant l'arbre et la section de marche de niveau à la verticale. Fixez la section de marche à l'arbre conformément aux étapes 5 à 7.

REMARQUE : placez toutes les sections de marche à une distance d'environ 38 cm (15 po) ou moins les unes des autres afin d'éviter tout problème lors de l'ascension ou de la descente de l'arbre. Les marches ne devraient jamais être espacées de plus de 45,72 cm (18 po) les unes des autres.

10. Descendez prudemment de l'arbre et détachez votre SHCC une fois au niveau du sol. **N'INSTALLEZ PAS OU N'UTILISEZ PAS AUTREMENT CE PRODUIT TANT QUE VOUS N'ÊTES PAS ATTACHÉ À L'ARBRE À L'AIDE DU SHCC ET DE LA SANGLE DE LA CEINTURE DE MONTEUR.** Inspectez **TOUTES** les sangles avant chaque utilisation!



⚠ AVERTISSEMENT

ASSUREZ-VOUS TOUJOURS que la boucle à came est orientée vers l'extérieur, sans torsion, comme illustré sur les **figures 4 et 5**.

⚠ AVERTISSEMENT

Quand vous descendez de l'arbre pour retirer les marches rabattables : **NE** retirez **JAMAIS** les sangles d'attache tant que vous ne vous tenez pas sur la section située sous cette section, et restez attaché à l'arbre au moyen de votre SHCC avec ceinture de monteur. Supportez **TOUJOURS** votre poids sur la section de marche rabattable quand vous êtes bien attaché et utilisez **TOUJOURS** une ceinture de monteur et un SHCC tant que vous n'êtes pas de retour au sol en toute sécurité!

Inspectez **TOUS** les bâtons avant chaque utilisation pour y déceler de l'usure excessive, des déformations, de la corrosion ou d'autres dommages, et inspectez toutes les sangles et cordes pour y déceler de l'effilochage, des déchirures, des coupures, de l'usure excessive ou tout autre type de dommages. Cessez **IMMÉDIATEMENT** l'utilisation si n'importe lequel de ces dommages est présent.

1. L'aide à la montée bien attachée à l'arbre, attachez votre ceinture de monteuse à votre SHCC conformément aux instructions de ce dernier. Montez sur les marches rabattables jusqu'à ce que vous ayez atteint la marche rabattable la plus haute. Debout sur la marche rabattable située sous celle que vous retirez, détachez la sangle et retirez la marche rabattable de l'arbre. Abaissez la marche rabattable au sol à l'aide d'une corde de levage.

2. Recommencez cette procédure jusqu'à ce que vous soyez de retour au sol en toute sécurité. **NE** vous tenez **JAMAIS** sur une aide à la montée pendant que vous retirez ou détachez les sangles!

AVERTISSEMENT

Quand vous descendez de l'arbre pour retirer les marches rabattables : **NE** retirez **JAMAIS** les sangles d'attache tant que vous ne vous tenez pas sur la section située sous cette section, et restez attaché à l'arbre au moyen de votre SHCC avec ceinture de monteuse. Supportez **TOUJOURS** votre poids sur la section de marche rabattable quand vous êtes bien attaché et utilisez **TOUJOURS** une ceinture de monteuse et un SHCC tant que vous n'êtes pas de retour au sol en toute sécurité!

8 ENTRETIEN ET SOINS

- Quand vous n'utilisez pas votre mirador, rangez-le dans un endroit sec afin d'éviter que l'eau ne s'accumule dans les tubes. L'eau qui s'accumule dans les tubes pour ensuite geler fera éclater les tubes.
- Le fini thermolaqué appliqué en usine est très durable et ne devrait nécessiter que de simples retouches sur les surfaces qui présentent une usure prononcée ou aux endroits qui ont subi des impacts accidentels. Appliquez une peinture extérieure pulvérisée de grande qualité sur toute partie métallique nue, le cas échéant. Inspectez le mirador avant chaque utilisation. **NE** l'utilisez **PAS** si vous remarquez de la corrosion (rouille).
- Quand vous transportez votre mirador Summit, assurez-vous qu'il est bien arrimé et qu'aucun autre objet ne peut glisser et le frapper, pouvant ainsi causer des dommages.
- Remplacez toutes les cordes, toutes les sangles et tous les câbles tous les deux (2) ans.

MISE EN GARDE

Vérifiez la présence d'entailles, de rainures, de coupures, de fissures, de plis, de corrosion ou de dommages semblables qui peuvent découler d'une mauvaise utilisation ou d'accidents. Par exemple, ces dommages pourraient survenir si une autre personne a utilisé le mirador sans savoir comment le faire adéquatement ou si le mirador a été échappé, heurté par un véhicule motorisé ou soumis à des conditions corrosives, etc.

Si vous endommagez toute partie de votre mirador Summit, communiquez avec votre détaillant Summit autorisé le plus près ou avec l'usine pour connaître la bonne procédure corrective ou les bonnes pièces de rechange pour le mirador.

Les miradors Summit offrent l'intégrité structurale la plus élevée qui soit grâce à leur conception, au choix des matériaux et aux techniques de fabrication, mais, en tant que propriétaire, seuls vos soins continus en assureront un rendement sans problème. Quand les directives susmentionnées sont respectées, votre mirador Summit vous offrira des années de chasse prospère.

9 GARANTIE LIMITÉE

(A) Garantie

Summit Treestands, LLC (Summit) garantit à l'acheteur original au détail que tous les produits qu'elle fabrique sont exempts de défaut de matériel et de fabrication au moment de l'expédition, et ce, pendant douze (12) mois à partir de la date d'achat. Summit réparera ou remplacera toute pièce défectueuse si l'unité dite défectueuse est retournée à Summit, port payé, dans la période de garantie.

La présente garantie ne vise aucun produit qui a fait l'objet d'un usage abusif, d'une mauvaise application, de négligence (y compris, sans s'y limiter, un entretien inadéquat), d'un accident, d'une installation inadéquate, de modifications (y compris, sans s'y limiter, l'utilisation de pièces ou d'accessoires non autorisés), d'ajustements ou de réparations. **LA PRÉSENTE GARANTIE REMPLACE TOUTES LES AUTRES GARANTIES, EXPRESSES OU IMPLICITES (Y COMPRIS LES GARANTIES DE QUALITÉ MARCHANDE OU D'APTITUDE DE TOUT PRODUIT À UN EMPLOI PARTICULIER), ET TOUTE OBLIGATION DE RESPONSABILITÉ DE LA PART DE L'ENTREPRISE.**

(B) Limitation de la responsabilité

Il est explicitement entendu que la responsabilité de Summit envers ses produits, qu'elle découle d'une rupture de garantie, de négligence, de la responsabilité objective ou autre, se limite à la réparation du produit, comme susmentionné, et Summit ne sera pas tenue responsable des blessures, pertes, dommages ou frais, directs ou indirects, y compris, sans s'y limiter, de la perte d'utilisation, de revenus ou de bénéfices ou de dommages matériels en rapport à la vente, l'installation, l'utilisation, l'incapacité à utiliser ou la réparation ou le remplacement des produits Summit.

Summit se réserve le droit d'apporter en tout temps des modifications à ses produits qui, à son avis, peuvent en améliorer le rendement et l'efficacité. Elle n'est pas obligée d'apporter de telles modifications aux produits déjà en service.

Veillez prendre le temps de remplir la carte de garantie en ligne à l'adresse <http://www.summitstands.com/warranty>

