



SIG SAUER

JULIET3-MICRO™

JULIET3-MICRO 3x22mm
COMPACT MAGNIFIER

OWNER'S MANUAL

Please visit sigsauer.com for Owners Manual downloads.

INTRODUCTION

The SIG SAUER® JULIET3-MICRO Magnifier provides red dot and holographic sight users extended range capabilities in an ultra-compact package. When mounted behind a Sig Sauer ROMEO Red Dot sight the flip-to-side JULIET3-MICRO Magnifier allows users to quickly change from close to long distance engagements. The JULIET3-MICRO is covered by the SIG SAUER Electro-Optics Infinite Guarantee.

CONTENTS:

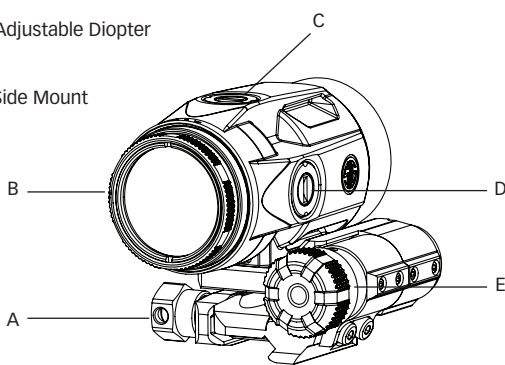
- JULIET3-MICRO 3 x 22 mm Compact Magnifier
- 1.41" Absolute Co-Witness Push-Button, Flip-to-Side Mount (installed)
- 1.54" Sight Height Spacer kit
- 1.63" Lower 1/3rd Co-Witness Spacer Kit
- Hex Tool
- Bikini Lens Cover
- Lens Cloth

KEY FEATURES:

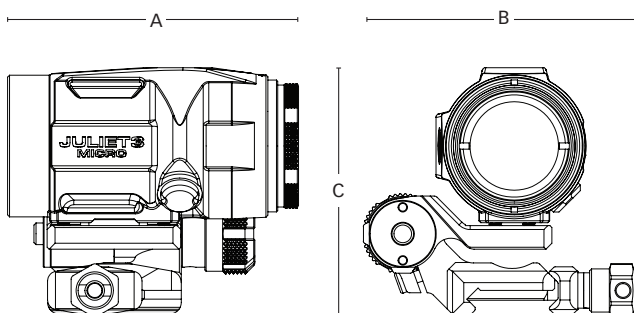
- High Performance Lens Coatings including Dielectric Coated Prism for Excellent Clarity and Contrast
- Push-Button, Flip-to-Side Mount with durable industry standard 1/2" hex keeper
- Ultra-compact size and weight
- IPX7 Waterproofing
- Bikini Lens Cover, and spacers to achieve (3) sight heights: absolute co-witness 1.41", 1.54" and lower 1/3rd co-witness 1.63" sight heights.
- SIG SAUER® Electro-Optics Infinite Guarantee™

PRODUCT IDENTIFICATION

- A – 1/2" Hex Keeper
- B – Ocular Housing with Adjustable Diopter
- C – Elevation Adjustment
- D – Windage Adjustment
- E – Push-Button, Flip-to-Side Mount



JULIET3-MICRO SPECIFICATIONS	
Magnification	3x
Objective Lens Diameter	22 mm
Field of View	7.0°
Eye Relief	64 mm
Diopter Range	± 2
Waterproof	IPX7



⚠ WARNING

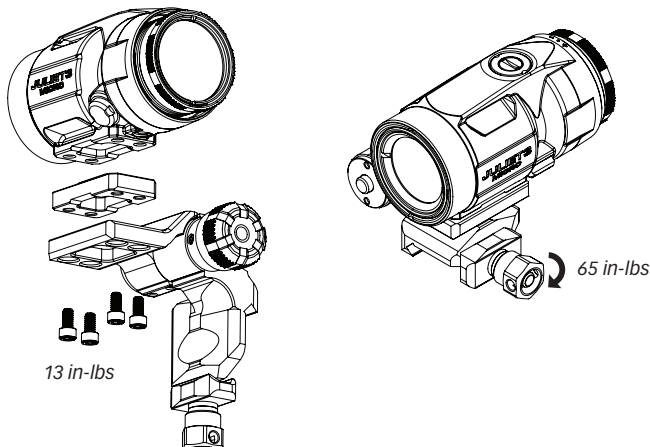
Before working on any firearm ensure the weapon is free of all ammunition and the safety is engaged.

OPERATION

Installation

Step 1 - Sight Height

Your JULIET3-MICRO comes configured for 1.41" absolute co-witness, but also includes spacer kits for 1.535" and 1.63" lower 1/3rd co-witness. Determine the sight height of your red dot and adjust your JULIET3-MICRO sight height accordingly by using the spacer kits provided. The 4 mounting screws should be torqued to 13 in-lbs.



Step 2 - Install on Rail

Locate your JULIET3-MICRO behind your red dot under the following considerations:

- 1) Charging handle should be accessible
- 2) Eye relief is optimal when firearm is shouldered
- 3) Magnifier does not interfere with red dot or other accessories while using flip-to-side feature

Once the correct rail position is determined for the JULIET3-MICRO you may need to move the red dot.

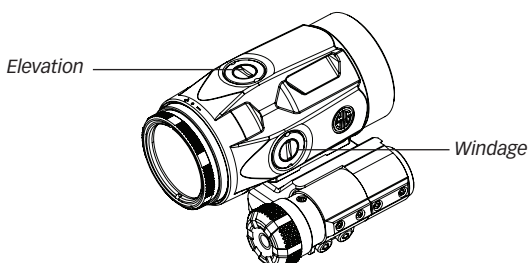
Once both positions of the JULIET3-MICRO and your red dot are determined, torque the JULIET3-MICRO 1/2" Hex Nut to 65 in-lbs. If your red dot was moved during this process, re-install per manufacturer's specifications.

Step 3 - Center Elevation & Windage

Ensure that your red dot is zeroed.

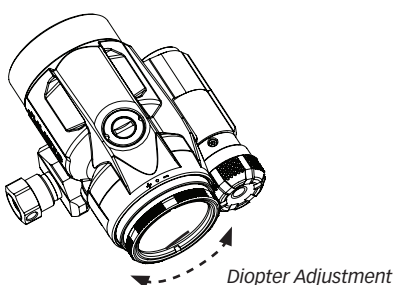
Using the JULIET3-MICRO elevation and windage adjustments, rotate one at a time until the red dot is centered in the field of view.

Note: The JULIET3-MICRO adjustments will not affect zero. You will need to make those adjustments on the red dot.



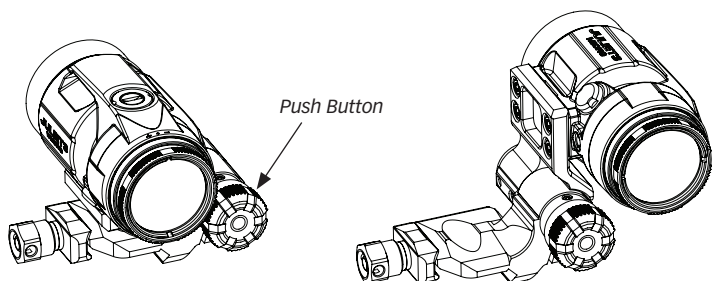
Step 4 - Set Diopter

JULIET3-MICRO comes with an adjustable diopter. To adjust diopter, rotate the eyepiece until the red dot feature is crisp and clear.



Step 5 - Flip-to-Side Mount

JULIET3-MICRO magnifier comes installed to a push-button, flip-to-side mount. Simply depress the button to go from engaged to disengaged.



TROUBLESHOOTING

Magnifier comes loose	Verify 1/2" Hex Nut is torqued to 65 in-lbs
	Verify (4) Mounting screws torqued to 13 in-lbs
PDA/POI Shift	Verify red dot is zeroed
Dot or Reticle is blurry	Adjust diopter until crisp and clear
Seeing "scope shadow"	Turn JULIET3-MICRO elevation and windage adjustments until dot is centered in field of view
	Ensure JULIET3-MICRO is configured to match red dot sight heights of 1.41", 1.535" or 1.63".
Charging handle is inaccessible	Move JULIET3-MICRO forward on rail until charging handle is accessible
Lens is cloudy or dirty	Clean both lenses with provided lens cloth

WARNING: CANCER AND REPRODUCTIVE HARM
– www.P65Warnings.ca.gov

FC CE



SIG SAUER Electro-Optics Infinite Guarantee™

SIG SAUER has manufactured the most rugged, dependable high-performance firearms for over two centuries. Our heritage of design, engineering and precision-manufactured quality predates the existence of any other optics company worldwide. We understand the importance of quality in the line of fire, at the shooting range or on your next hunt. SIG SAUER Electro-Optics had to earn the right to wear that badge and the Infinite Guarantee has your back, forever. Period.

We will repair or replace your SIG SAUER product in the event it becomes damaged or defective, at no charge to you. If we cannot repair your product, we will replace it with a product in perfect working order of equal or better physical condition. It doesn't matter how it happened, whose fault it was, or where you purchased it.

SIG SAUER Infinite Guarantee™

- Unlimited Lifetime Guarantee
- Fully Transferable
- No Warranty Card Required
- No Receipt Required
- No Time Limit Applies
- No Charge

If you ever have a problem, no matter the cause, we promise to take care of you when it counts. Please note that our Infinite Guarantee does not provide coverage for intentional damage, misuse, cosmetic damage that does not affect the performance of the optic, loss, theft or unauthorized repair or modification. Excludes electronic components.

**FOR PRODUCT SERVICE ON THIS MODEL,
PLEASE CALL 603-610-3000**

27100 SW Parkway Ave, Wilsonville, OR 97070 USA

SIG SAUER

P/N 7402719-01 R01

sigsauer.com